

# ENVIRO-THERM® THERMAL MANAGEMENT

## FAN HEATER WITH THERMOSTAT

Designed to protect electrical controls, instruments and sensitive components from low temperatures and the effects of condensation and corrosion by maintaining a stable temperature within the electrical enclosure. These heaters are not intended for use in hazardous, wet, dusty or dirty locations. For installation information, consult our installation manual at [www.saginawcontrol.com](http://www.saginawcontrol.com).

**IS24 - Industry Standards**  
UL Component Recognized

Catalog No.	Watt @ 60 Hz	Volt	Height	Width	Depth	Product Code
<a href="#">SCE-HF1251A</a>	125	115	5.50	4.00	4.50	P1
<a href="#">SCE-HF1252A</a>	125	230	5.50	4.00	4.50	P1
<a href="#">SCE-HF2001A</a>	200	115	5.50	4.00	4.50	P1
<a href="#">SCE-HF2002A</a>	200	230	5.50	4.00	4.50	P1
<a href="#">SCE-HF4001B</a>	400	115	7.50	4.00	4.50	P1
<a href="#">SCE-HF4002B</a>	400	230	7.50	4.00	4.50	P1
<a href="#">SCE-HF8001B</a>	800	115	7.50	4.00	4.50	P1
<a href="#">SCE-HF8002B</a>	800	230	7.50	4.00	4.50	P1



- Brushed aluminum housing
- Thermostat Range 0° to 100°F (-18° to 38°C)
- Heat discharge at the top of the heater
- Panel mount
- Air volume of 16 CFM on 125 & 200 Watt heaters, 26 CFM on 400 & 800 Watt heaters
- Heat indicator light
- Switch for Auto or Fan
- UL Recognized
- CSA Approved
- CE

## FAN HEATER

Compact design that heats up dynamically and is quiet during operation. Din rail clip design for 15mm, 35mm and C-Din Rail. 14" heater cable, 10" fan cable. 100 - 240V 50/60 Hz Heater and 24 V Integrated fan. For installation information, consult our installation manual at [www.saginawcontrol.com](http://www.saginawcontrol.com).

**IS24 - Industry Standards**  
UL Component Recognized

Catalog No.	Watts	Max Current	Height	Width	Depth	Product Code
<a href="#">SCE-H350</a>	350	3.0 A	3.10	2.10	3.30	P1



## TOUCH SAFE HEATER

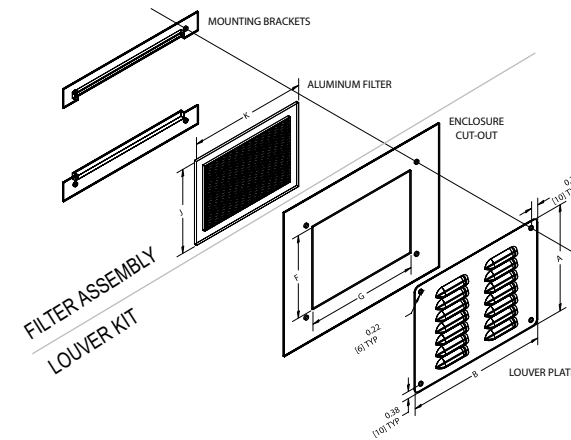
PTC (Positive Temperature Coefficient) Din rail clip design for 35mm Din Rail. Designed for protection from low temperatures, condensation and corrosion. Touch Safe with 2 screw terminal for standard AWG 14 wire. 110 - 240V AC or DC. For installation information, consult our installation manual at [www.saginawcontrol.com](http://www.saginawcontrol.com).

**IS24 - Industry Standards**  
UL Component Recognized

Catalog No.	Watts	Max Current	Height	Width	Depth	Product Code
<a href="#">SCE-TSH25</a>	25	2.5 A	4.92	1.61	1.61	P1
<a href="#">SCE-TSH50</a>	50	3.5 A	4.92	1.61	1.61	P1
<a href="#">SCE-TSH75</a>	75	4.0 A	5.51	2.76	2.48	P1
<a href="#">SCE-TSH100</a>	100	5.0 A	5.51	2.76	2.48	P1
<a href="#">SCE-TSH150</a>	150	9.5 A	8.66	2.76	2.48	P1



Catalog No.	Height (A)	Width (B)	Cutout Size (F)	Cutout Size (G)	Product Code
<a href="#">SCE-AVK23</a>	3.25	3.25	2.00	1.75	P2
<a href="#">SCE-AVK33</a>	3.88	4.50	2.62	3.00	P2
<a href="#">SCE-AVK34</a>	4.75	4.50	3.50	3.00	P2
<a href="#">SCE-AVK43</a>	4.50	5.50	3.25	4.00	P2
<a href="#">SCE-AVK44</a>	5.63	5.50	4.38	4.00	P2
<a href="#">SCE-AVK64</a>	5.63	7.50	4.38	6.00	P2
<a href="#">SCE-AVK66</a>	7.88	7.50	6.62	6.00	P2
<a href="#">SCE-AVK84</a>	5.81	9.50	4.56	8.00	P2
<a href="#">SCE-AVK86</a>	8.18	9.50	6.94	8.00	P2
<a href="#">SCE-AVK88</a>	10.56	9.50	9.31	8.00	P2
<a href="#">SCE-AVK812</a>	15.31	9.50	14.06	8.00	P2
<b>Stainless Steel</b>					
<a href="#">SCE-AVK23SS</a>	3.25	3.25	2.00	1.75	P2
<a href="#">SCE-AVK33SS</a>	3.88	4.50	2.62	3.00	P2
<a href="#">SCE-AVK34SS</a>	4.80	4.50	3.50	3.00	P2
<a href="#">SCE-AVK43SS</a>	4.50	5.50	3.25	4.00	P2
<a href="#">SCE-AVK44SS</a>	5.63	5.50	4.38	4.00	P2
<a href="#">SCE-AVK64SS</a>	5.63	7.50	4.48	6.00	P2
<a href="#">SCE-AVK66SS</a>	7.88	7.50	6.62	6.00	P2
<a href="#">SCE-AVK84SS</a>	5.81	9.50	14.06	8.00	P2
<a href="#">SCE-AVK86SS</a>	8.19	9.50	4.56	8.00	P2
<a href="#">SCE-AVK88SS</a>	10.56	9.50	6.94	8.00	P2
<a href="#">SCE-AVK812SS</a>	15.31	9.50	9.31	8.00	P2



Catalog No.	Filter Size (J)	Filter Size (K)	Product Code
<a href="#">SCE-FLT33</a>	3.22	3.25	P2
<a href="#">SCE-FLT34</a>	4.09	3.25	P2
<a href="#">SCE-FLT43</a>	3.84	4.25	P2
<a href="#">SCE-FLT44</a>	4.97	4.25	P2
<a href="#">SCE-FLT64</a>	4.45	6.25	P2
<a href="#">SCE-FLT66</a>	6.72	6.25	P2
<a href="#">SCE-FLT84</a>	4.64	8.25	P2
<a href="#">SCE-FLT86</a>	7.02	8.25	P2
<a href="#">SCE-FLT88</a>	9.39	8.25	P2
<a href="#">SCE-FLT812</a>	14.14	8.25	P2

## LOUVER KIT

Designed for ventilation in enclosures where excessive heat or moisture is a problem. Kits may be installed in the field by making a cutout of the proper size. Louver plates are made of heavy gauge steel and powder coated ANSI-61 gray. "SS" parts are made of Type 304 stainless with #4 brushed finish.

## FILTER ASSEMBLY

Designed for use with louver kit. Consists of aluminum filter brackets with mounting holes to align with louver mounting holes and a washable aluminum air filter to provide good air filtration. For installation information, please consult our installation manual at [www.saginawcontrol.com](http://www.saginawcontrol.com).